

smart1500



Smart1500 series are easily integrated into every kind of places with strong and long lasting stainless steel structure and prestigious design. Smart1500 also enriches the places it is located with the aesthetic value it has.

Standard Hardware:

- Metal body top panel with stainless steel front panel
- Stainless steel legs, lockable bottom panel with a cover
- 10 mm metal base (height adjustable)
- 15" LCD TFT Panel
- Infrared Touch Screen
- 2 Watt stereo amfi, multimedia speakers
- CPU: Intel Celeron 420 1.6 GHZ (ops. P4)
- 512 MB 400MHZ DDR RAM (max. 2 GB)
- 60 GB 2,5" Hard Disc
- On board 64 MB VGA
- On board 10/100 Ethernet

Supplementary Hardware:

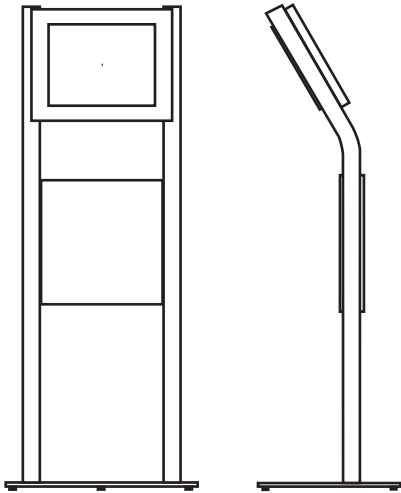
- Keyboard
- Card reader (Manyetic, 3 Track)
- Barkod reader (manuel, for automation applications)
- Handset

Smart1500 is the very ideal Kiosk designed for the enterprises looking for an easily noticeable kiosk taht will be a welcoming point within any location and perform digital display and interactive communication tasks.

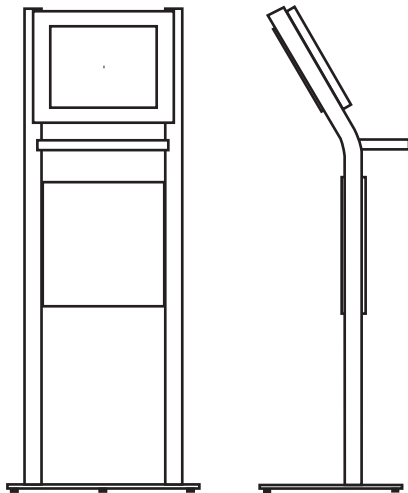
Smart1500 easily fits your enviroments with its desktop and wall-mounted options and also turns them into an interactive communication point.

Smart1500 server you strong and functional solutions in your automation applications when used with supplementary hardware.

1500-U

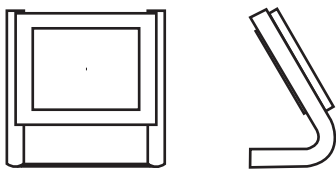


1500-UK



Keyboard

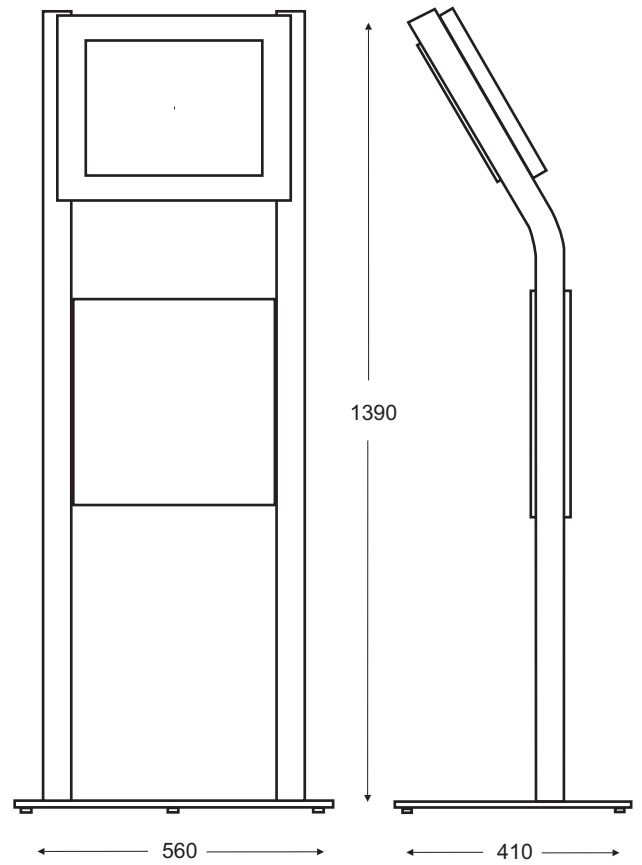
1500-MD



1500-MDK



Keyboard

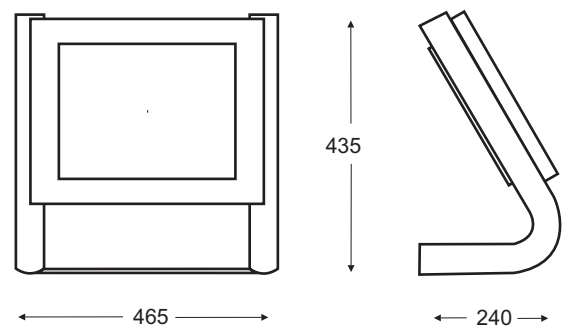


Height: 139 cm

Wideness: 56 cm (base)

Depth: 41 cm (base)

Weight: 40 kg



Height: 43,5 cm

Wideness: 46,5 cm

Depth: 24 cm

Weight: 9,5 kg