

**smart3000**

Smart3000 Kiosk series is a multi-purpose device developed for users expecting high performance especially in self-service applications. The front-opening rack cover, large internal space and maintenance-friendly design provide significant advantages. The Kiosk provides the ability to use high volume printers ( up to A4), cash automats and Hybrid Card Readers with engines. The product is ideal for payment system solutions and projects such as ticket and coupon sales.

**Standard Hardware:**

- Cabin structure with plastic screen frame and metal casing
- Rack cover with front opening
- 10 mm metal base (height adjustable, can be fixed on the ground)
- 15" LCD TFT, Infrared touch-screen
- 2 watt stereo amplifier, multimedia speakers
- Intel Celeron 420 1.6 GHZ CPU (ops. P4)
- 512 MB RAM (ops. 1Gb)
- 60 GB 2,5" HDD
- On board 64 MB VGA
- On board 10/100 Ethernet (Ops. Wireless)

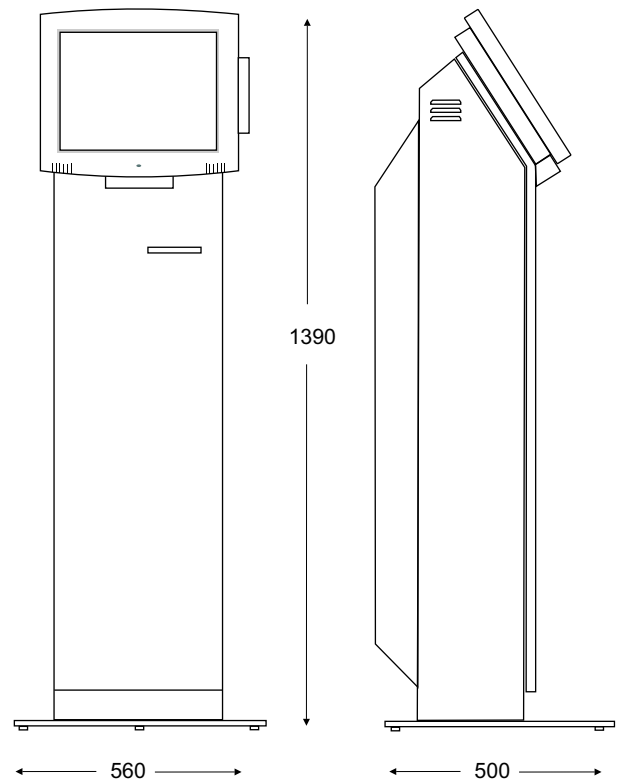
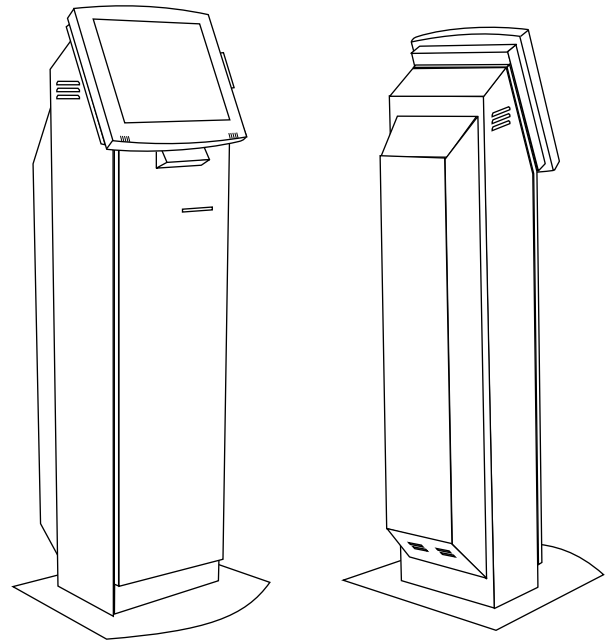
**Optional Hardware:**

- Card Reader (Magnetic, 3 Track)
- Hybrid Card Reader (magnetic & smart)
- RFID and Proximity Card Reader
- Thermal Printer (60 mm, 80mm, 110mm, 210mm)
- Barcode Reader (Omni Directional - multi-directional barcode reader)
- Metal Kiosk Keyboard
- Phone Receiver
- Credit Card Payment System
- Banknote acceptance mechanism
- Coin acceptance mechanism
- Coin change mechanism
- Card Printing System

An optional second monitor can be installed on Smart3000 to broadcast advertisements.



The second monitor provided as an option for Smart3000 allows you to present your ads more efficiently.



---

**Height** : 139 cm

---

**Width** : 56 cm (base)

---

**Depth** : 50 cm

---

**Weight** : 70 kg

---