

smart3000-P



Smart3000-P Kiosk series is a multi-purpose device developed for users expecting high performance especially in payment system applications. The front-opening rack cover, large internal space and maintenance-friendly design provide significant advantages. The products is ideal for payment system solutions and projects such as ticket and coupon sales, purchasing phone minutes and paying bills thanks to its credit card payment and banknote acceptance mechanisms.

Standard Hardware:

- Cabin structure with plastic screen frame and metal casing
- Rack cover with front opening
- 10 mm metal base (height adjustable, can be fixed on the ground)
- 15" LCD TFT, Infrared touch screen
- 2 watt stereo amplifier, multimedia speakers
- Intel Celeron 420 1.6 GHZ CPU (ops. P4)
- 512 MB RAM (ops. 1Gb)
- 60 GB 2,5" HDD
- On board 64 MB VGA
- On board 10/100 Ethernet (Ops. Wireless)
- Banknote acceptance mechanism
- Credit card payment system

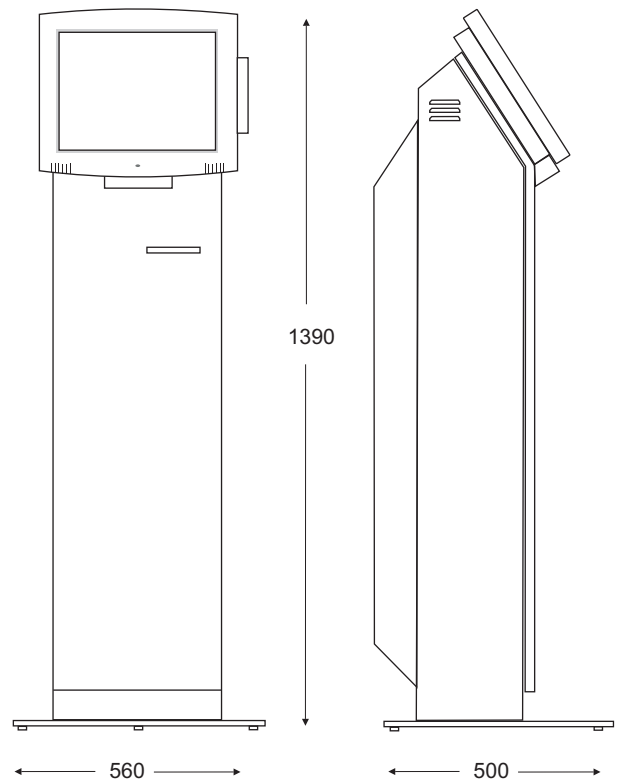
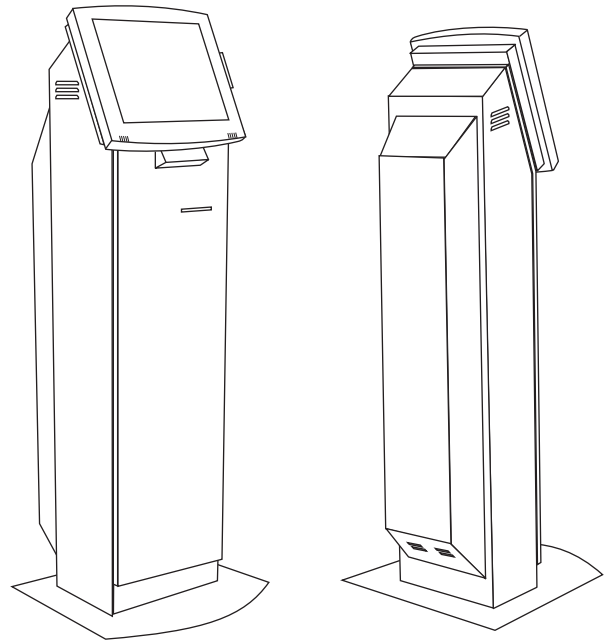
Additional Hardware:

- Card Reader
- Thermal Printer (60 mm, 80mm, 110mm, 210mm)
- Barcode Reader (Omni Directional - multi-directional barcode reader)
- Metal Kiosk Keyboard
- Phone Receiver
- Coin acceptance mechanism
- Coin change mechanism

An optional second monitor can be installed on Smart3000 to broadcast advertisements.



The second monitor provided as an option for Smart3000 allows you to present your ads more efficiently.



Height : 139 cm

Width : 56 cm (tbase)

Depth : 50 cm

Weight : 70 kg