

## smart5000



The 5000 series developed as an Outdoor Kiosk provides all the superior features expected from an outdoor kiosk.

### Standard Hardware:

- Back-lighted ad board (ops. 36" LCD)
- Waterproof metal cabin resistant to outdoor conditions
- Impact-resistant steel keyboard
- 15" LCD TFT Panel (ops. 17")
- Infrared Touch-screen
- 2 watt stereo amplifier, multimedia speakers
- Intel İ845GV Chipset
- Intel Celeron D 2.6 GHZ CPU (ops. P4)
- 256 MB 400MHZ DDR RAM (ops. 512 MB)
- 30 GB 2,5" Hard Disk
- On board 64 MB VGA
- On board 10/100 Ethernet

### Optional Hardware:

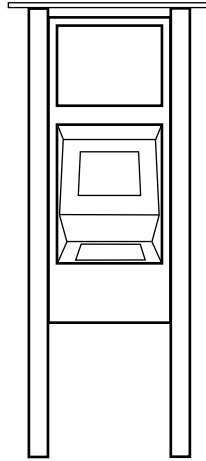
- IP Phone
- Card Reader (magnetic or hybrid)
- Thermal Printer (60 mm and 80 mm paper width options)



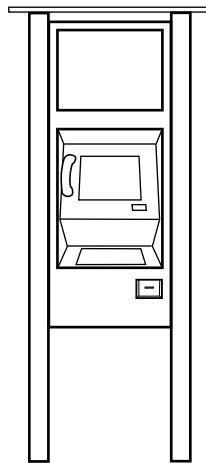
The Smart5000 series is provided with floor or wall mounted models containing IP Phone, card reader, thermal printer and ad board.

The product is ideal for urban info terminals and digital services. You can provide services such as information, applications, transaction tracking, web-based online transactions, ticket sales and ad publishing in your facilities or premises.

5010-A

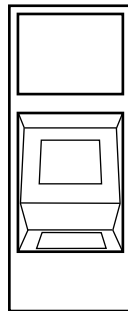


5030-AT

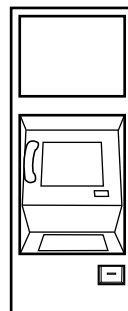


- IP Phone
- Card Reader
- Thermal Printer

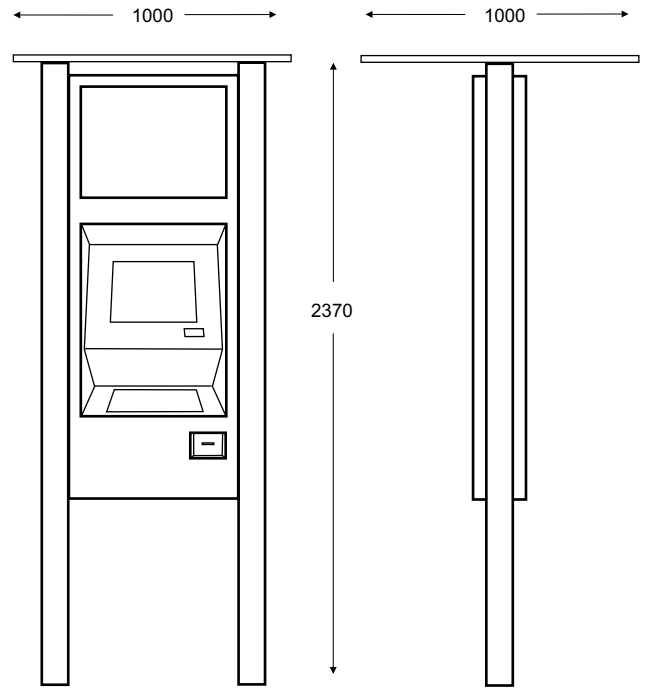
5010



5030



- IP Phone
- Card Reader
- Thermal Printer

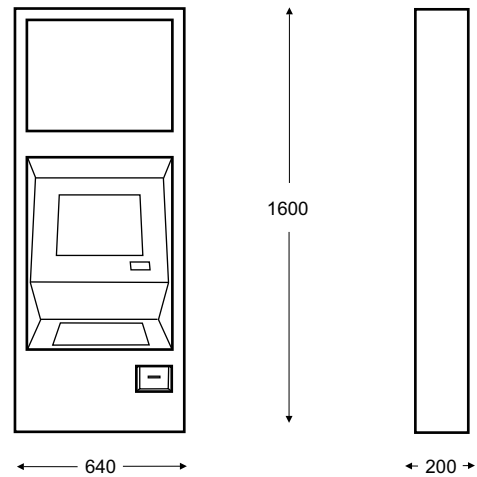


**Height** : 237 cm

**Width** : 100 cm (canopy)

**Depth** : 100 cm (canopy)

**Weight** : 65 kg



**Height** : 160 cm

**Width** : 64 cm

**Depth** : 20 cm

**Weight** : 50 kg